

Nyloc Insert Nut

Thread Type: Metric - Coarse

Thread Direction: Right Hand

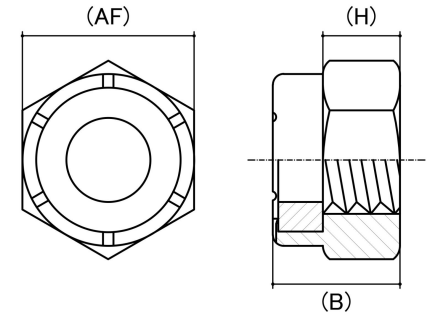
Material: Carbon Steel

Class Grade: High Tensile Class 6

Finish: Mechanically Galvanised

Corrosion Protection Level: Excellent

Standard: DIN 985



*CAD drawings shown for graphic representation only.**

| Size | Thread Pitch (mm) | Thread Type | Overall Nut Height (B) (mm) | | Hex Height (H) (mm) | Across Flats (AF) (mm) | | Spanner Size (AF) (mm) | sku (qfind) |
|------|-------------------|-------------|-----------------------------|-------|---------------------|------------------------|-------|------------------------|-------------|
| | | | Min | Max | Nom | Min | Max | | |
| M6 | 1.00 | Coarse | 5.70 | 6.00 | 4.00 | 9.78 | 10.00 | 10 | 41N6G |
| M8 | 1.25 | Coarse | 7.64 | 8.00 | 5.50 | 12.73 | 13.00 | 13 | 41N8G |
| M10 | 1.50 | Coarse | 9.64 | 10.00 | 6.50 | 16.73 | 17.00 | 17 | 41N10G |
| M12 | 1.75 | Coarse | 11.57 | 12.00 | 8.00 | 18.67 | 19.00 | 19 | 41N12G |
| M14 | 2.00 | Coarse | 13.30 | 14.00 | 9.50 | 21.67 | 22.00 | 22 | 41N14G |
| M16 | 2.00 | Coarse | 15.30 | 16.00 | 10.50 | 23.67 | 24.00 | 24 | 41N16G |
| M18 | 2.50 | Coarse | 17.66 | 18.50 | 13.00 | 26.16 | 27.00 | 27 | 41N18G |
| M20 | 2.50 | Coarse | 18.67 | 20.00 | 14.00 | 29.16 | 30.00 | 30 | 41N20G |
| M24 | 3.00 | Coarse | 23.15 | 24.00 | 15.00 | 35.16 | 36.00 | 36 | 41N24G |
| M27 | 3.00 | Coarse | 25.70 | 27.00 | 17.00 | 40.00 | 41.00 | 41 | 41N27G |
| M30 | 3.50 | Coarse | 28.70 | 30.00 | 19.00 | 45.00 | 46.00 | 46 | 41N30G |
| M33 | 3.50 | Coarse | 31.40 | 33.00 | 22.00 | 49.00 | 50.00 | 50 | 41N33G |
| M36 | 4.00 | Coarse | 34.40 | 36.00 | 25.00 | 53.80 | 55.00 | 55 | 41N36G |
| M42 | 4.50 | Coarse | 40.50 | 42.00 | 23.10 | 63.80 | 65.00 | 65 | 41N42G |
| M48 | 5.00 | Coarse | 46.50 | 48.00 | 26.50 | 73.80 | 75.00 | 75 | 41N48G |

| Size | Thread Pitch (mm) | Thread Type | Overall Nut Height (B) (mm) | | Hex Height (H) (mm) | Across Flats (AF) (mm) | | Spanner Size (AF) (mm) | sku (qfind) |
|------|-------------------|-------------|-----------------------------|-------|---------------------|------------------------|-------|------------------------|-------------|
| | | | Min | Max | Nom | Min | Max | | |
| M64 | 6.00 | Coarse | 62.00 | 64.00 | 63.20 | 92.80 | 95.00 | 95 | 41N64G |

Disclaimer:

Dimensional data and technical information was obtained from publically available sources and not acquired through standard agencies. It has been completed and compiled for reference purposes only; where discrepancies are found they are subject to change without notice. Bolt & Nut Australia makes no warranties or representations regarding the accuracy and validity of the compiled information and data. Contact the relevant standard authorities for accurate and detailed information.

* CAD drawings may not reflect diameter, thread length or overall length.

© Bolt & Nut Australia Pty Ltd. All rights reserved.

Version: 18 Mar 2024